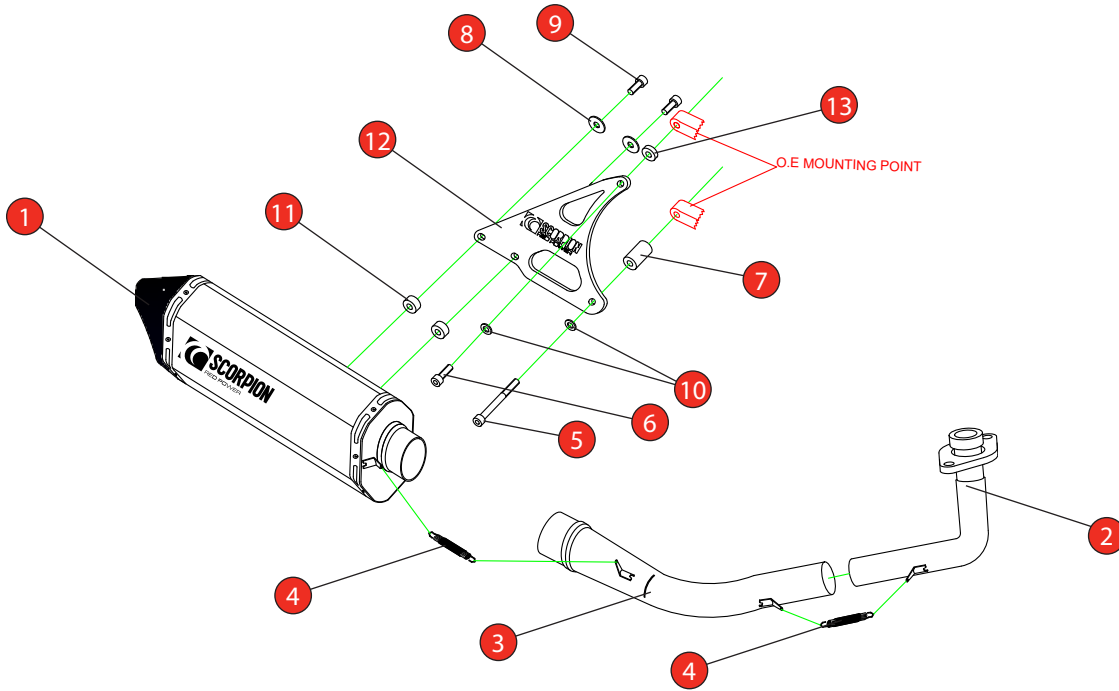


Bike	Peugeot Django 125/150cc	Part No.	RPG-103
Year	2015-2017 Euro 3 bike.	Fit Kits	Z039.10591
Notes	Where not supplied use original fittings. The original header ring gasket is not required when fitting this Scorpion product.	dB Killer	SCEXDBK42 - (Type MM)

Estimated Fitting Time: 60 Minutes



NO.	PART NO.	DESCRIPTION	QTY
1	RSC381	Serket Parallel Silencer	1
2	Z035.10923	Header Pipe CP923	1
3	Z035.10918	Connecting Pipe CP918	1
Fit Kit - Z039.10591			
4	Z028.10030	Rubber Coated Spring	2
5	Z017.10084	M8 x 80mm Cap Head Bolt	1
6	Z017.10074	M8 x 30mm Cap Head Bolt	1
7	Z026.10092	M8 x 55mm Alloy Spacer	1
8	Z017.10825	M8 x 25mm Washer	2
9	Z017.10050	M8 x 35mm Hex Head Bolt	2
10	Z017.10831	M8 x 17mm Washer	2
11	Z026.10005	M8 x 15mm Alloy Spacer	2
12	Z007.31459	Mounting Bracket	1
13	Z026.10004	M8 x 10mm Alloy Spacer	1

E-MARK	BSAU 193a 1990/t3
DATE	24/10/2018
ISSUE	05
AUTHORISED	J.Harkin

NOTE: ENSURE SCORPION SYSTEM IS CLEAR OF MOVING PARTS AND ALL ORIGINAL FUNCTIONS WORK CORRECTLY.



STAY CONNECTED TO RED POWER.

Car	Peugeot Django 125/150cc	Part No.	RPG-103
Year	2015-2017	Fit Kits	Z039.10591
Notes	Where not supplied use original fittings. The original header ring gasket is not required when fitting this Scorpion product.	dB Killer	SCEXDBK42 - (Type MM)



A) Remove original exhaust from the bike, taking care to keep all original components in a safe place. Ensure the ring gasket is removed as sometimes it can be seized into the engine block. (If you damage the gasket and wish to re-fit the original exhaust the Peugeot part number to replace this is :PE803024.)

B) Loosely fit Scorpion header pipe.



C) Slide the connecting pipe on to the header pipe, do not fasten with tension spring yet.

D) Following the line diagram above, loosely fit the bracket to the silencer.

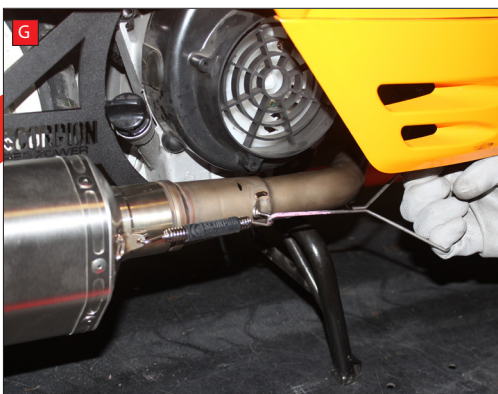
E) Slide the silencer on to the connecting pipe. Mount the bracket to the bike ensuring you're using the correct bolts and spacers.



F) Once happy with the fitment of your exhaust tighten all fittings.

G) Fit the tension springs following the line diagram above.

H) When fitted, take scooter for a short test run, upon return allow bike to cool and check all nuts and bolts are secure.



Bike	Peugeot Django 125/150cc	Part No.	RPG-103
Year	2015-2017	Fit Kits	Z039.10591
Notes	Where not supplied use original fittings. The original header ring gasket is not required when fitting this Scorpion product.	dB Killer	SCEXDBK42 - (Type MM)

Estimated Fitting Time: 60 Minutes



A) Remove original exhaust from bike, taking care to keep all original components in a safe place.

B) Refit Scorpion exhaust as per line diagram above.

C) When fitted take bike for a short ride to ensure all functions are correct.

D) When bike & exhaust are cool enough check all nuts and bolts are still secure.

Thank you for purchasing your Scorpion Silencer.

Care of your exhaust: Please refrain from cleaning silencer with heavy solvents or abrasives!

Vielen Dank Für den kauf eines Scorpion Schalldampfers! Pflegehinweis: Bitte verwenden Sie niemals Scheuermittel oder aggressive Reiniger zur Pflege Ihres Auspuffes!

Merci d'avoir choisi un echappement Scorpion.

Entretien de votre silencieux: Ne pas utiliser de solvants ou de produits abrasifs!

Muchas gracias por adquirir un Silencioso Scorpion. Le recomendamos no limpiar el silencioso con productos abrasivos o aquellos que contengan disolventes.



STAY CONNECTED TO RED POWER.