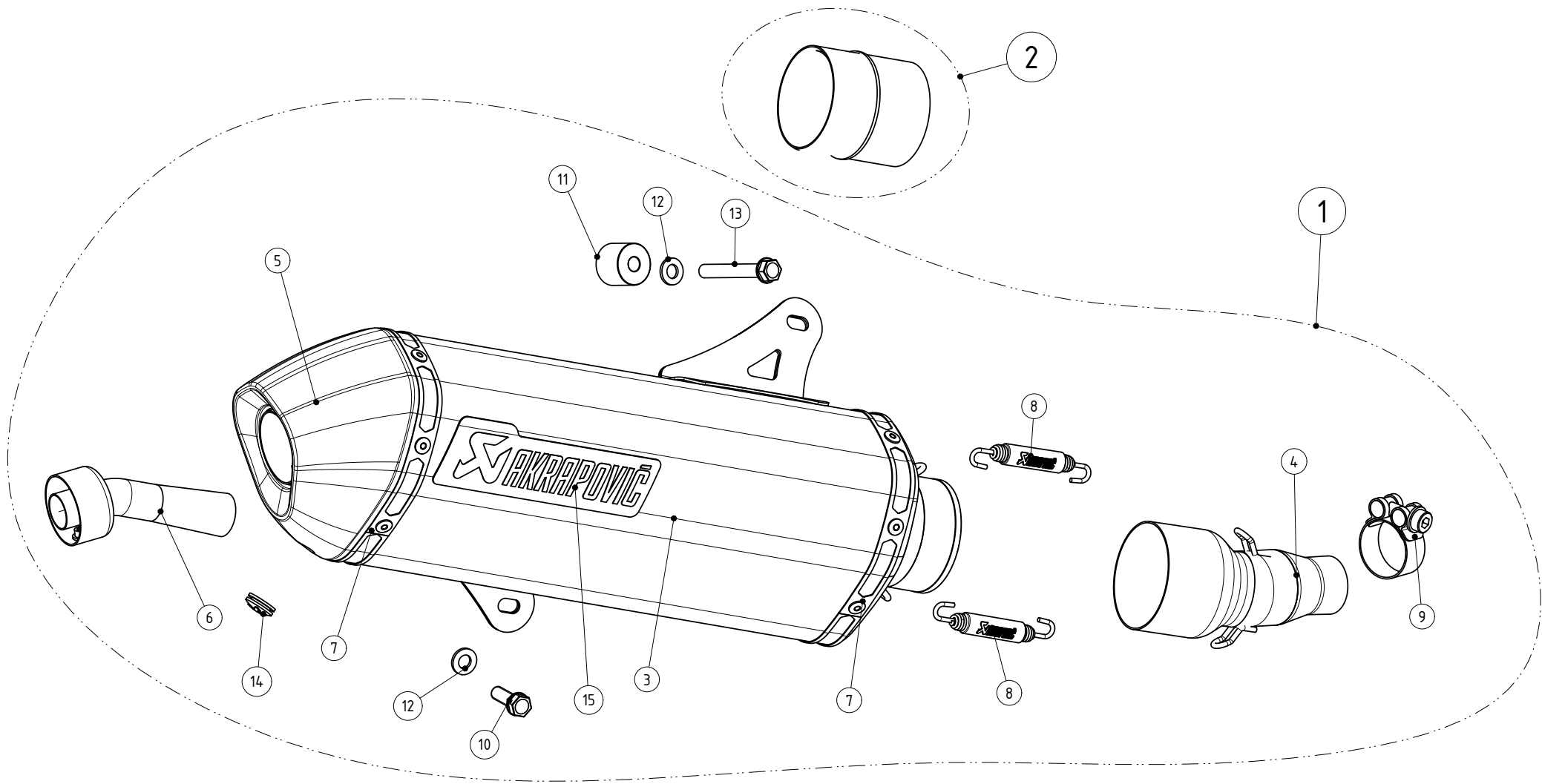


WARNING! EC TYPE APPROVAL IS VALID ONLY WHEN OPTIONAL CATALYTIC CONVERTER IS INSTALLED!



MUFFLER REPAIR KITS	
REPACK	16
SLEEVE	17

No.	SALES CODE	DESCRIPTION	QTY.
1	S-PI3SO2-HRSS	slip on system	1
2	P-KAT-028	catalyst	1
3	M-HR02702SS/5	muffler	1
4	L-PI3SO2SS	link pipe SS	1
5	V-EC146	end cap CA	1
6	V-TUV018	insert SS	1
7	P-TT45	belt TI for SS sleeve	1
8	P-S2	spring	2
9	P-R52	clamp SS	1
10	P-FB10	bolt	1
11	P-DR9	distance ring AL	1
12	P-DR4	washer SS	2
13	P-FB23	bolt	1
14	P-GUV004	rubber insert	1
15	P-HST2AL	sticker	1
16	P-RPCK58	muffler repack kit	1
17	P-RKS331SSR35	muffler sleeve kit	1