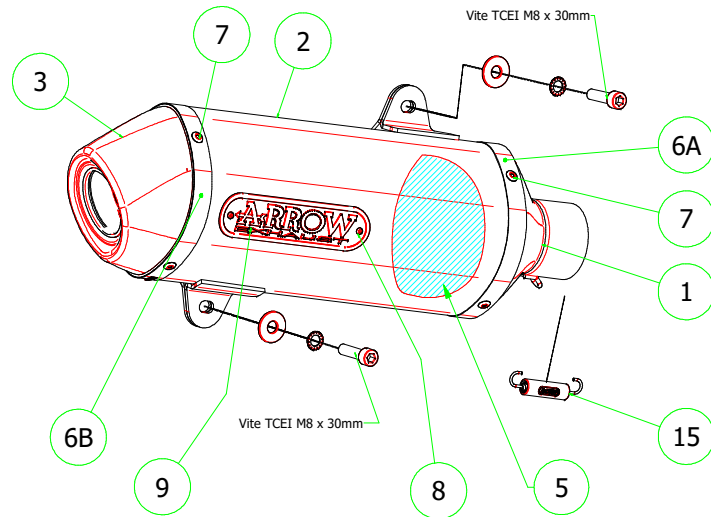


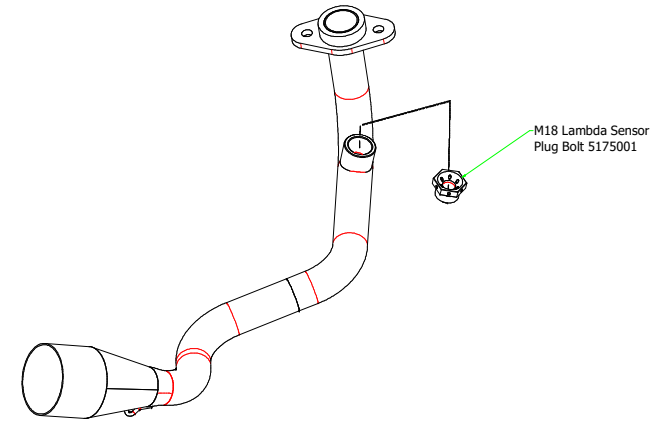
# Piaggio Medley 125-150 2016



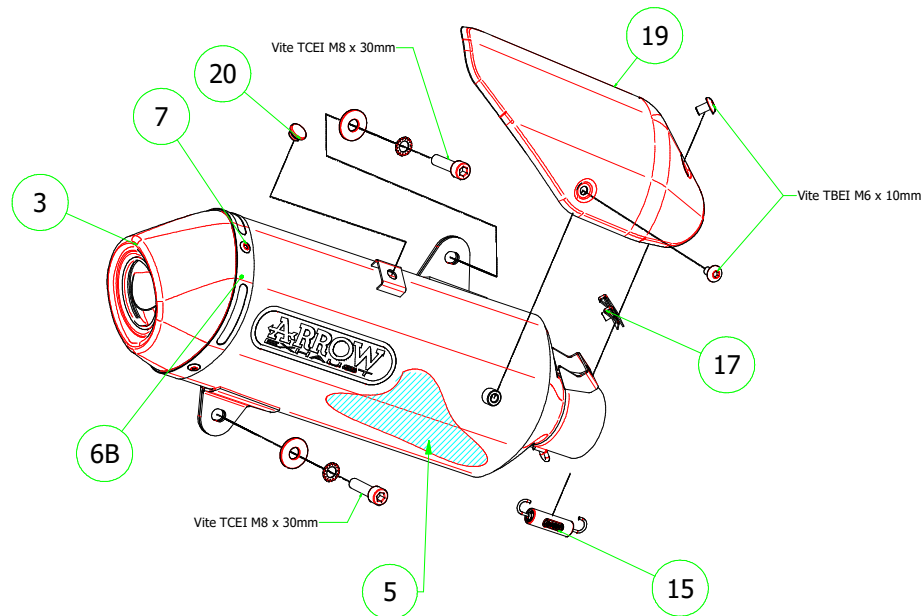
**53517AN** Homologated Alluminium  
**53517ANN** Homologated Alluminium (Dark)



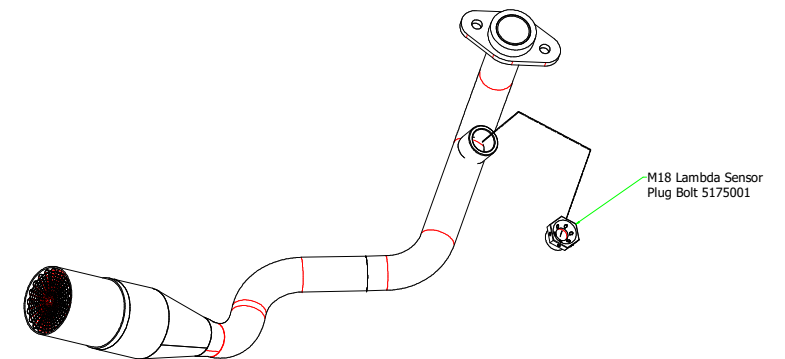
**53064MI** Racing Collector



**53517XN** Homologated Nichrom



**53064KZ** Catalytic Homologate Collector



## PARTI DI RICAMBIO / SPARE PARTS

<b>ID</b>	<b>DESCRIZIONE / DESCRIPTION</b>	<b>53517AN cod</b>	<b>53517ANN cod</b>	<b>53517XN cod</b>
<b>1</b>	Assieme anteriore / <i>Front assembly</i>	<b>5035264</b>	<b>5035264</b>	
<b>2</b>	Corpo Marmitta / <i>Silencer Sleeve</i>	<b>5257447</b>	<b>5257448</b>	
<b>3</b>	Assieme Posteriore / <i>Rear assembly</i>	<b>5009957</b>	<b>5009957</b>	<b>5009957</b>
<b>5</b>	Materiale fonoassorbente / <i>Sound-absorbant material</i>	<b>5690155</b>	<b>5690155</b>	<b>5690155</b>
<b>6A</b>	Fascetta di Serraggio Anteriore / <i>Front Strap For Rivets</i>	<b>5495058</b>	<b>5495058</b>	
<b>6B</b>	Fascetta di Serraggio Posteriore / <i>Rear Strap For Rivets</i>	<b>5495440</b>	<b>5495440</b>	<b>5495441</b>
<b>7</b>	Rivetto inox mm 4.8 / <i>Stainless Steel 4.8 mm Rivet</i>	<b>3608011</b>	<b>3608011</b>	<b>3608011</b>
<b>8</b>	Rivetto allum.mm.3.0 / <i>Aluminium 3.0 mm Rivet</i>	<b>3608016</b>	<b>3608016</b>	
<b>9</b>	Targhetta Arrow / <i>Arrow Plate</i>	<b>5855109</b>	<b>5855109</b>	
<b>15</b>	Molla / <i>Spring</i>	<b>5281003</b>	<b>5281003</b>	<b>5281003</b>
<b>17</b>	Inserto Rapid Nut / <i>Caged nut insert</i>			<b>3245005</b>
<b>19</b>	Protezione / <i>Heat Shield</i>			<b>5683141</b>
<b>20</b>	Gommino / <i>Rubber</i>			<b>3240057</b>